

## Features

- CO2 gas concentration(ppm)  
Step display
- Accuracy: ± 10%
- Detection Range: 400~2,000 ppm
- Output: Analog 2 CH
- Easy Factory calibration according to Bin information
- Operating Voltage: 3.3V
- Sensor only(No MCU)
- Very Low Price
- Sample Code ready  
[https://github.com/EXSEN/RX-9\\_BIN](https://github.com/EXSEN/RX-9_BIN)

## Bin Information



Quality information

1051 1 0

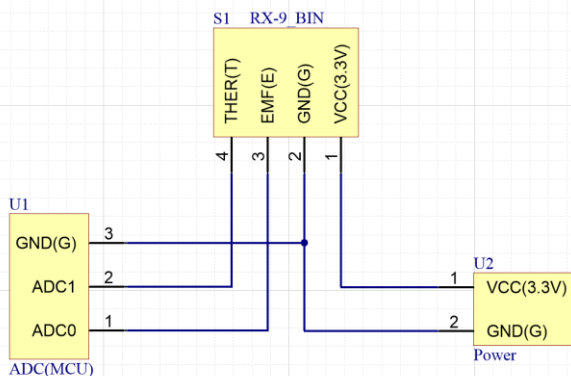
**A**

Bin information

## Bin information

- The products are classified by Bin information.
- Easy factory calibration using bin information. Use representative value of Bin to calibrate. It's easy and you only have to do it once.
- Total 5 Bins
- Same bin is classified and supplied

## Schematic



Pin No.	Symbol	Description
1	V	Vin, 3.3V, Voltage Input
2	G	Ground
3	E	Voltage output, Sensor raw signal, Electromotive Force
4	T	Voltage output, NTC Thermistor signal for temperature compensation

## Indoor, carbon dioxide gas sensor, High Reliability

### ❖ Features

- High reliability
- Wide operating temperature
- Long life (> 10 years)
- Communication: I2C, UART, AVO
- Auto calibration logic
- Indoor air quality monitoring
- Solid state electrochemical sensor



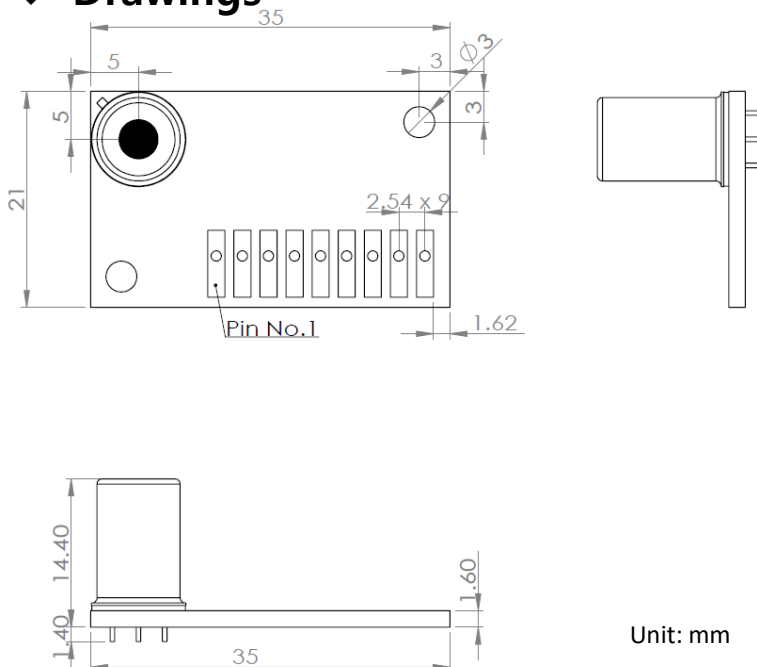
### ❖ Specification

### HX-105N

Detection range	400~6,200 ppm (>10,000 ppm Option)
Resolution	1 ppm
Accuracy(Error rate)*1	±10%
Life time	10 years
Operating temperature	-20~85°C
Operating humidity	0~95% (Non-Condensing)
Storage temperature	-40~105°C

\*1: Accuracy of sensor can be measured after operating at least 48 hours

### ❖ Drawings



### ❖ Pin description

Pin No.	Symbol
1	I2C-SCL
2	I2C-SDA
3	VCC (5V)
4	GND
5	AVO
6	Rx
7	Tx
8	Manufacturer
9	Manufacturer

## Applications

Total Heat Exchanger



Air Purifier



CO<sub>2</sub>二氧化碳偵測

當二氧化碳濃度過高，則警示燈亮起

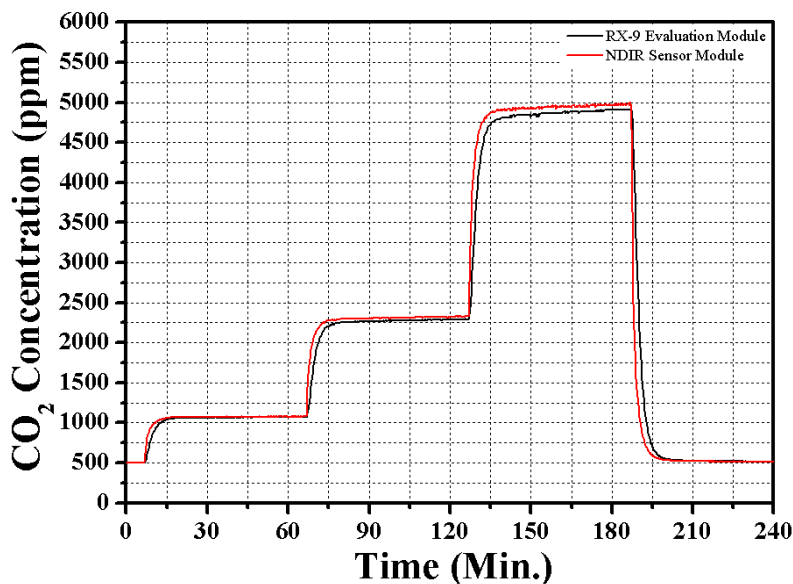
Dash Cam



Sensor Box



## Accuracy



## Contacts

[ykkim@exsen.co.kr](mailto:ykkim@exsen.co.kr)

## Technical information

<https://github.com/EXSEN/>