

Indoor, carbon dioxide gas sensor, High Reliability

❖ Features

- High reliability
- Wide operating temperature
- Long life (> 10 years)
- Communication: I2C, UART, AVO
- Auto calibration logic
- Indoor air quality monitoring
- Solid state electrochemical sensor



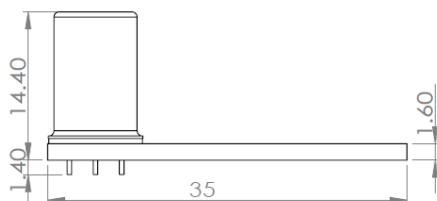
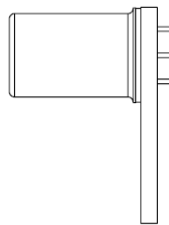
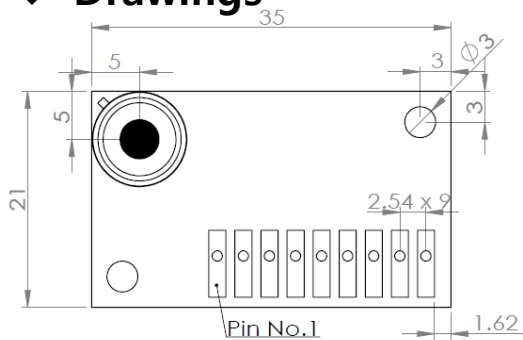
❖ Specification

HX-105N

Detection range	400~6,200 ppm (>10,000 ppm Option)
Resolution	1 ppm
Accuracy(Error rate)*1	±10%
Life time	10 years
Operating temperature	-20~85°C
Operating humidity	0~95% (Non-Condensing)
Storage temperature	-40~105°C

*1: Accuracy of sensor can be measured after operating at least 48 hours

❖ Drawings



Unit: mm

❖ Pin description

Pin No.	Symbol
1	I2C-SCL
2	I2C-SDA
3	VCC (5V)
4	GND
5	AVO
6	Rx
7	Tx
8	Manufacturer
9	Manufacturer

Indoor, carbon dioxide gas sensor, low cost

❖ Features

- Low cost
- Wide operating temperature
- Long life (> 10 years)
- Communication: I2C, UART, AVO
- Auto calibration logic
- Indoor air quality monitoring
- Solid state electrochemical sensor



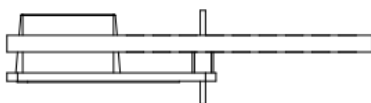
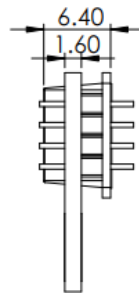
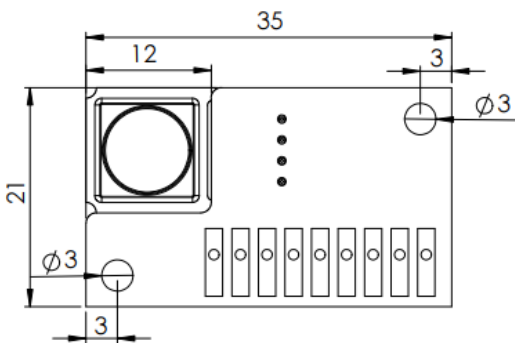
❖ Specification

EX-14

Detection range	400~6,200 ppm (>10,000 ppm Option)
Resolution	1 ppm
Accuracy(Error rate)*1	±10%
Life time	10 years
Operating temperature	-20~60°C
Operating humidity	0~95% (Non-Condensing)
Storage temperature	-40~105°C

*1: Accuracy of sensor can be measured after operating at least 48 hours

❖ Drawings



Unit: mm

❖ Pin description

Pin No.	Symbol
1	I2C-SCL
2	I2C-SDA
3	VCC (5V)
4	GND
5	AVO
6	Rx
7	Tx
8	Manufacturer
9	Manufacturer

Indoor, carbon dioxide gas sensor, No MCU, Sensor only

❖ Features

- Sensor calibration information is provided with QR code
- Small size
- Long life (10 years)
- 2 ADC port is needed
- Operating algorithm is provided
- Indoor air quality monitoring



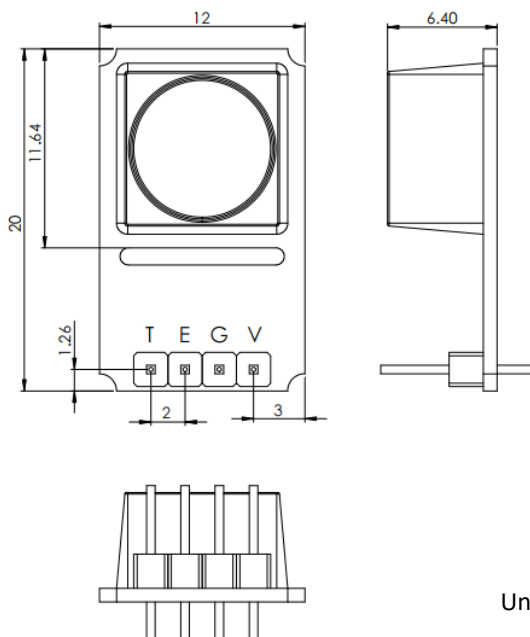
RX-9

❖ Specification

Detection range	400~6,200 ppm (>10,000 ppm Option)
Resolution	1 ppm
Accuracy(Error rate)*1	±10%
Life time	10 years
Operating temperature	-20~60°C
Operating humidity	0~95% (Non-Condensing)
Storage temperature	-40~105°C

*1: Accuracy of sensor can be measured after operating at least 48 hours

❖ Drawings



Unit: mm

❖ Pin description

Pin No.	Description
T	Thermistor, Analog
E	EMF, Analog
G	GND
V	3.3V

Indoor, carbon dioxide gas sensor, No MCU, Sensor only

❖ Features

- No ppm output, Step output only
- Small size
- Long life (10 years)
- 2 ADC port is needed
- Operating algorithm is provided
- Indoor air quality monitoring



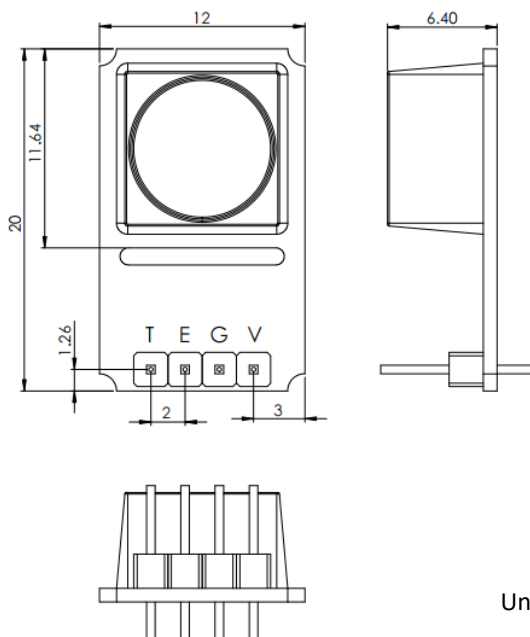
RX-9

❖ Specification

Detection range	400~6,200 ppm (>10,000 ppm Option)
Step	3 or 4 (1: 400~700, 2: 700~1000, 3: 1000~2000, 4: >2000 ppm) step by ppm is can be adjusted
Accuracy(Error rate)*1	±25%
Life time	10 years
Operating temperature	-20~60°C
Operating humidity	0~95% (Non-Condensing)
Storage temperature	-40~105°C

*1: Accuracy of sensor can be measured after operating at least 48 hours

❖ Drawings



Unit: mm

❖ Pin description

Pin No.	Description
T	Thermistor, Analog
E	EMF, Analog
G	GND
V	3.3V